

TALEXdriver LCU 60W 12/24V IP67 EXC

EXCITE outdoor IP67 series

The TALEXdriver LCU for constant voltage and with IP67 protection rating features a compact construction and a robust metal housing. In combination with a multivoltage input of 90 - 305 V AC and a temperature range of -40 to +70 °C, the TALEXdriver LCU is the optimum partner for outdoor applications around the world.

**Product description**

- _ Constant voltage LED Driver
- _ Universal input voltage range
- _ Constant output voltage
- _ Connection: cable with end sleeves (length approx. 500 mm)
- _ Polarity identifiers, secondary + red / - black
- _ Metal casing, encapsulated
- _ Nominal life-time up to 50,000 h (at ta 50 °C with a failure rate ≤ 0.2 % per 1,000 h)
- _ 5-year guarantee
- _ Complies with CLASS C from minimum to maximum load range according to EN 61000-3-2

Properties

- _ Small design
- _ High efficiency
- _ Low power loss
- _ Overtemperature and overload protection
- _ Short-circuit shutdown feature with automatic restart
- _ SELV
- _ Type of protection IP67
- _ Metal casing

Website

<http://www.tridonic.com/28000509>



Spotlights



Downlights



Linear



Area



Floor | Wall



Free-standing



Street



Decorative

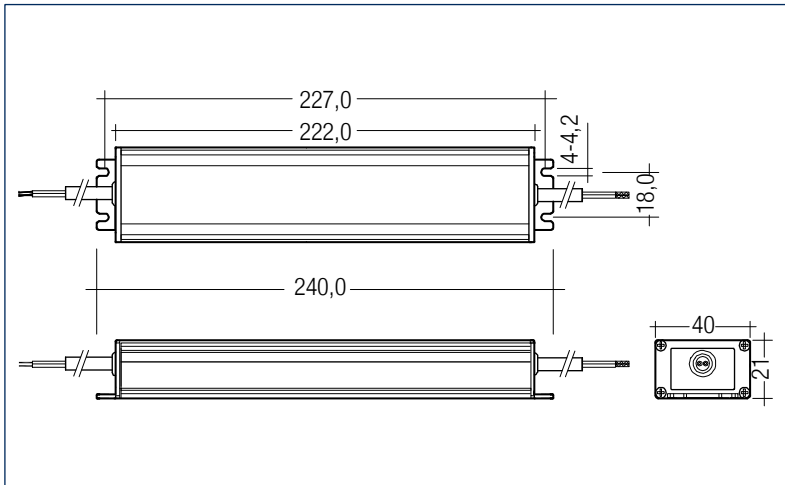


High bay

TALEXdriver LCU 60W 12/24V IP67 EXC

EXCITE outdoor IP67 series

The complete data sheet for this product is available in the Downloads section.

**Ordering data**

Type	Article number	Packaging, carton	Packaging, pallet	Weight per pc.
LCU 60W 12V IP67 TOP	28000509	10 pc(s).	480 pc(s).	0.45 kg

Technical data

Rated supply voltage ^①	100 – 277 V
Input voltage AC ^①	90 – 305 V
Input voltage DC	176 – 288 V
Rated current (at 230 V, 50 Hz, full load)	0.32 A
Mains frequency	0 / 50 / 60 Hz
Efficiency (at 230 V, 50 Hz, full load)	> 85 %
λ (at 230 V, 50 Hz, full load)	0.95
Output voltage tolerance 12 V	-0 / +10 %
Output voltage tolerance 24 V	-0 / +5 %
Output power (ta ≤ 60 °C)	60 W
Output power (ta > 60 °C)	48 W
Output power range	6 – 60 W
Turn on time (output)	≤ 0.5 s
Turn off time (output)	≤ 1 s
Hold on time at power failure (output)	10 ms
Ambient temperature ta	-40 ... +70 °C
Ambient temperature ta (at life-time 50,000 h)	-40 ... +50 °C
Storage temperature ts	-40 ... +85 °C
Dimensions L x W x H	240 x 40 x 21 mm
Hole spacing D	227 mm

Approval marks
IP67 SELV Class 2
Standards

EN 55015, EN 61000-3-2, EN 61000-3-3, EN 61347-1, EN 61347-2-13, EN 61547, EN 62384, EN 62493

Specific technical data

Type	Max. casing temperature ^② e tc	Output voltage	Max. input power	Output current range	Max. output voltage ^②
LCU 60W 12V IP67 TOP	90 °C	12 V	74 W	0.50 – 5.0 A	13.2 V

^① 90 – 108 V AC; ta ≤ 60 °C: max. load = 48 W, ta > 60 °C: max. load = 38 W.

^② At failure mode (230 V, 50 Hz).