

TALEXdriver LCU 35W 12V IP67 EXC

EXCITE outdoor IP67 series

The TALEXdriver LCU for constant voltage and with IP67 protection rating features a compact construction and a robust metal housing. In combination with a multivoltage input of 90 - 305 V AC and a temperature range of -40 to +70 °C, the TALEXdriver LCU is the optimum partner for outdoor applications around the world.

**Product description**

- _ Constant voltage LED Driver
- _ Universal input voltage range
- _ Constant output voltage
- _ Connection: cable with end sleeves (length approx. 300 mm)
- _ Polarity identifiers, secondary + red / - black
- _ Metal casing, encapsulated
- _ Nominal life-time up to 50,000 h (at ta 50 °C with a failure rate ≤ 0.2 % per 1,000 h)
- _ 5-year guarantee
- _ Suitable for emergency escape lighting systems acc. to EN 50172
- _ Complies with CLASS C from minimum to maximum load range according to EN 61000-3-2

Properties

- _ Small design
- _ High efficiency
- _ Low power loss
- _ Overtemperature protection with automatic restart
- _ Overload protection
- _ Short-circuit protection with automatic restart
- _ SELV
- _ Type of protection IP67
- _ Metal casing

Website

<http://www.tridonic.com/28000508>



Spotlights



Downlights



Linear



Area



Floor | Wall



Free-standing



Street



Decorative

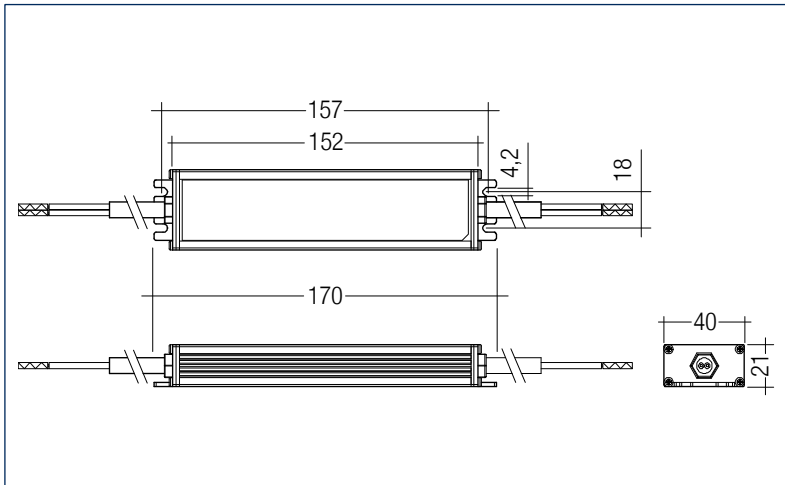


High bay

TALEXdriver LCU 35W 12V IP67 EXC

EXCITE outdoor IP67 series

The complete data sheet for this product is available in the Downloads section.



Ordering data

Type	Article number	Packaging, carton	Packaging, pallet	Weight per pc.
LCU 35W 12V IP67 TOP	28000508	15 pc(s).	900 pc(s).	0.32 kg

Technical data

Rated supply voltage	100 – 277 V
Input voltage AC	90 – 305 V
Input voltage DC	176 – 288 V
Rated current (at 230 V, 50 Hz, full load)	0.19 A
Mains frequency	0 / 50 / 60 Hz
Efficiency (at 230 V, 50 Hz, full load)	> 85 %
λ (at 230 V, 50 Hz, full load)	0.95
Output voltage tolerance	-0 ... +10 %
Output power ($t_a \leq 60$ °C)	35 W
Output power ($t_a > 60$ °C)	28 W
Output power range	3.5 – 35 W
Turn on time (output)	≤ 0.5 s
Turn off time (output)	≤ 1 s
Hold on time at power failure (output)	10 ms
Ambient temperature t_a	-40 ... +70 °C
Ambient temperature t_a (at life-time 50,000 h)	-40 ... +50 °C
Storage temperature t_s	-40 ... +85 °C
Dimensions L x W x H	170 x 40 x 21 mm
Hole spacing D	157 mm

Approval marks

IP67 SELV Class 2 RoHS

Standards

EN 55015, EN 60598-1, EN 60598-2-22, EN 61000-3-2, EN 61000-3-3, EN 61347-1, EN 61347-2-13, EN 61547, EN 62384, EN 62493, EN 50172

Specific technical data

Type	Max. casing temperature t_c	Output voltage	Max. input power	Output current range	Max. output voltage ^①
LCU 35W 12V IP67 TOP	85 °C	12 V	43 W	0.29 – 2.92 A	13.2 V

① At failure mode (230 V, 50 Hz).