

PCA T5 EXCEL one4all Ip x:tec II, 14 – 80 W

EXCEL T5

The innovative ballasts in the PCA EXCEL one4all series are so versatile and convenient that they open up new lighting solutions. They meet almost all specific requirements – both for luminaires and for applications. Dimmable luminaires are the most responsible way to reduce costs. They always provide the optimum amount of light, appropriate to the presence or absence of people and the amount of available daylight. Energy savings of up to 80 percent can be made.

**Product description**

- _ Processor-controlled ballast with x:tec II inside
- _ Highest possible energy class CELMA EEI = A1 BAT ^①
- _ Noise-free precise control via DALI or DSI signal, switchDIM or corridorFUNCTION
- _ Nominal life-time up to 100,000 h (at ta 50 °C with a failure rate ≤ 0.2 % per 1,000 h)
- _ Multilamp management
- _ OEM-specific reserved memory areas
- _ Extended DALI commands
- _ 5-year guarantee

Interfaces

- _ DALI
- _ DSI
- _ switchDIM (with memory function + selectable dimming rate)
- _ corridorFUNCTION (3 preprogrammed profiles + individually programmable)
- _ Integrated SMART interface for function with all SMART Sensors and SMART plugs of the x:tec II range
- _ SMART interface for SMART plug cF – for setting the corridorFUNCTION profiles
- _ SMART interface for SMART plug Gr – for manual grouping of the devices
- _ SMART interface for SMART plug Ma – for securing the device settings
- _ SMART interface for SMART sensor with daylight control
- _ SMART interface for SMART sensor with daylight control and presence detection
- _ SMART interface for SMART sensor with daylight control, presence detection and infra-red control

Functions

- _ Intelligent Temperature Guard (overtemperature protection)
- _ Intelligent Voltage Guard (overvoltage indication and undervoltage shutdown)
- _ Optimum filament heating in any dimmer setting
- _ Disconnection of filament heating from a dimming level of approx. 90 % for maximum energy efficiency (SMART-Heating concept)
- _ Fade rates between 100 ms and 90 s (min. – max.)
- _ corridorFUNCTION with ambient light control
- _ Automatically triggered emergency lighting value in DC mode 15 %, can be set between 1 and 100 %
- _ For emergency lighting systems as per EN 50172
- _ Automatic start after replacement of defective lamps
- _ Automatic shutdown if the lamp is faulty
- _ Dimming possible in DC mode

^① According to the EU directives on ecodesign requirements (EC) No. 245/2009 and (EC) No. 347/2010.

Website

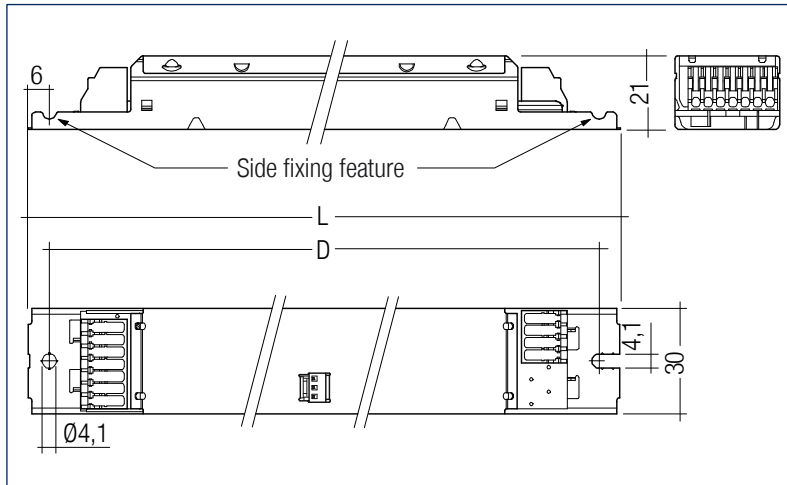
<http://www.tridonic.com/22185103>



PCA T5 EXCEL one4all Ip xitec II, 14 – 80 W

EXCEL T5

The complete data sheet for this product is available in the Downloads section.



Ordering data

Type	Article number	Packaging, carton	Packaging, pallet	Weight per pc.
For luminaires with 1 lamp				
PCA 1x14/24 T5 EXCEL one4all Ip Xitec II	22185103	10 pc(s).	760 pc(s).	0.222 kg

Technical data

Mains voltage range	220 – 240 V
AC voltage range	198 – 264 V
DC voltage range	176 – 280 V (lamp start \geq 198 V DC)
Mains frequency	0 / 50 / 60 Hz
Overvoltage protection	320 V AC, 1 h
Typ. power input on stand-by	< 0.2 W
Protective hot restart	0.5 s for AC / 0.2 s for DC
Dimming range	1 – 100 %
Lamp start possible from	1 %
Operating frequency	~ 40 – 130 kHz
Type of protection	IP20

Approval marks



Standards

EN 55015, EN 60929, EN 61000-3-2, EN 61347-2-3, EN 61547, EN 50172, IEC 60929, IEC 61000-3-2, IEC 61347-2-3, IEC 61547, IEC 62386 (according to DALI standard V1)

Specific technical data

Lamp wattage	Lamp type	Type	Article number	Dimensions L x W x H	Hole spacing D	Lamp power ²⁾	Circuit power ²⁾	EEL	Current at 230 V, 50 Hz ²⁾	λ at 230 V, 50 Hz	tc point max.	Ambient temperature ta ²⁾
For luminaires with 1 lamp												
1 x 14 W	T16 (T5)	PCA 1x14/24 T5 EXCEL one4all Ip Xitec II	22185103	360 x 30 x 21 mm	350 mm	14 W	16.0 W	A1 BAT	0.08 A	0.95	80 °C	-25 ... +70 °C
1 x 24 W	T16 (T5)	PCA 1x14/24 T5 EXCEL one4all Ip Xitec II	22185103	360 x 30 x 21 mm	350 mm	23 W	25.5 W	A1 BAT	0.12 A	0.97	80 °C	-25 ... +70 °C

²⁾ Valid at 100 % dimming level.

³⁾ +10 °C to ta max: unrestricted dimming. -25 °C to +10 °C: unrestricted dimming from 100 % to 30 %. -25 °C to +10 °C, dimming below 30 %: malfunction possible but no damage to ECG. This applies to AC and DC operation.